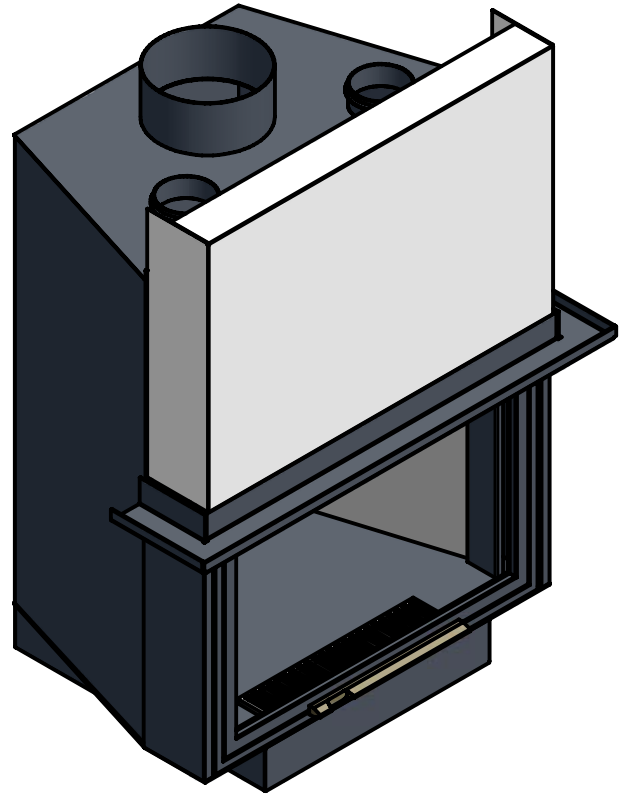
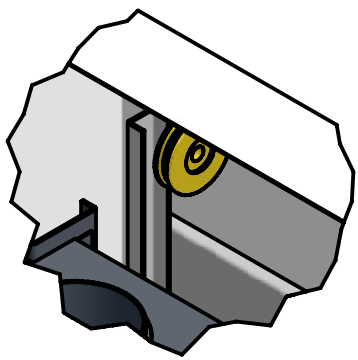
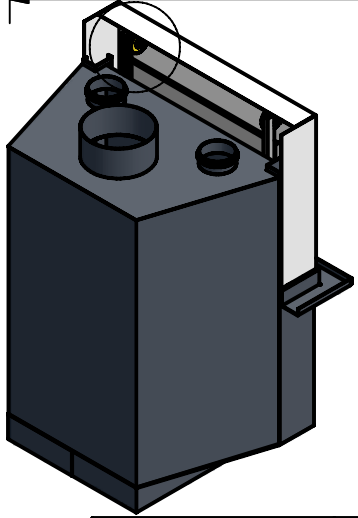



B (0.15 : 1)



mod.800

Designed by Romeo	Checked by	Approved by	Date	Date 05.10.2006
Ecopan 2d			 Metallkonstruktionen Technica del camino	
			Assembly1	Edition Sheet 1 / 1